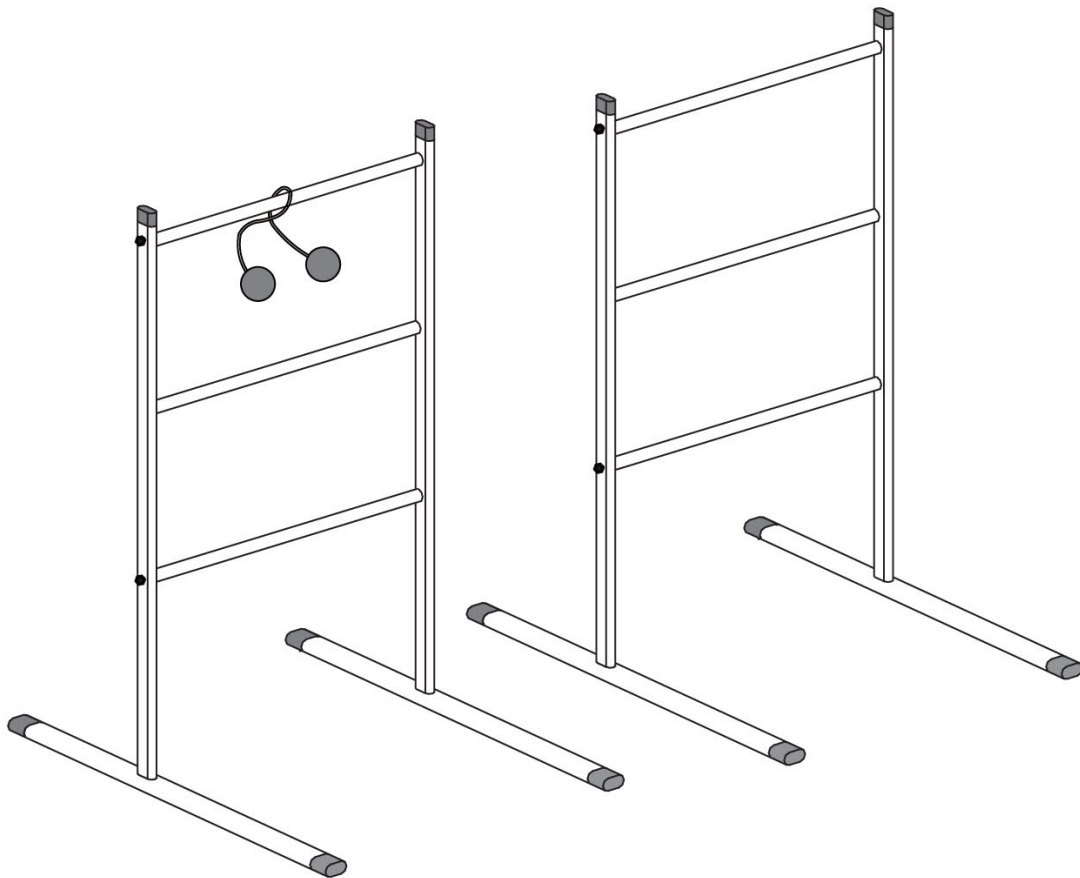


AGES 8+  
2-4 TEAM PLAY

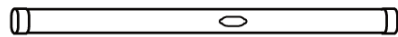
---

# LADDER TOSS INSTRUCTION BOOK

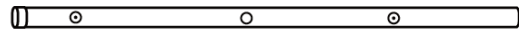
---



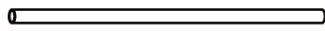
# LADDER TOSS PIECES



4pcs



4pcs



6pcs



4pcs



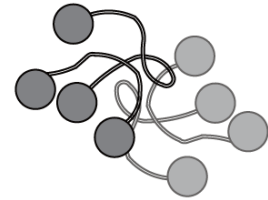
2pcs



8pcs



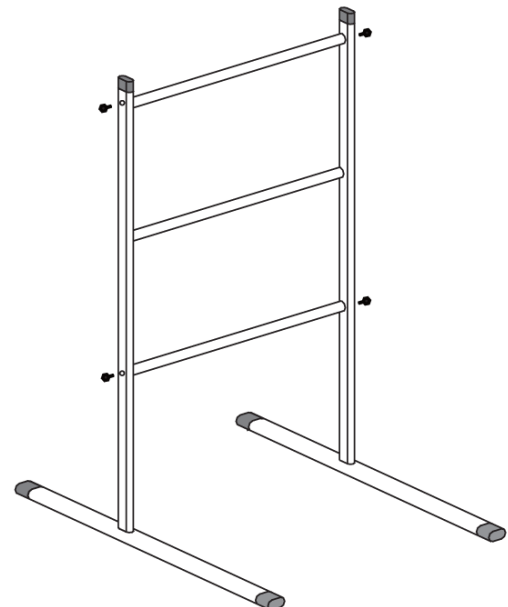
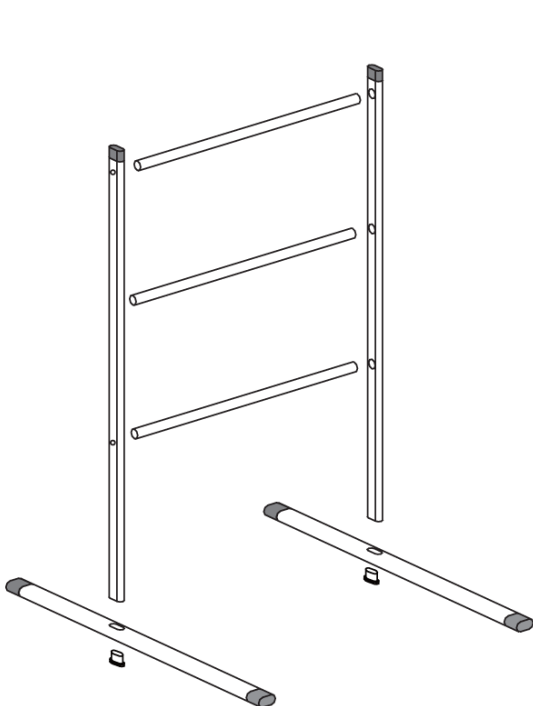
1pc



6pcs

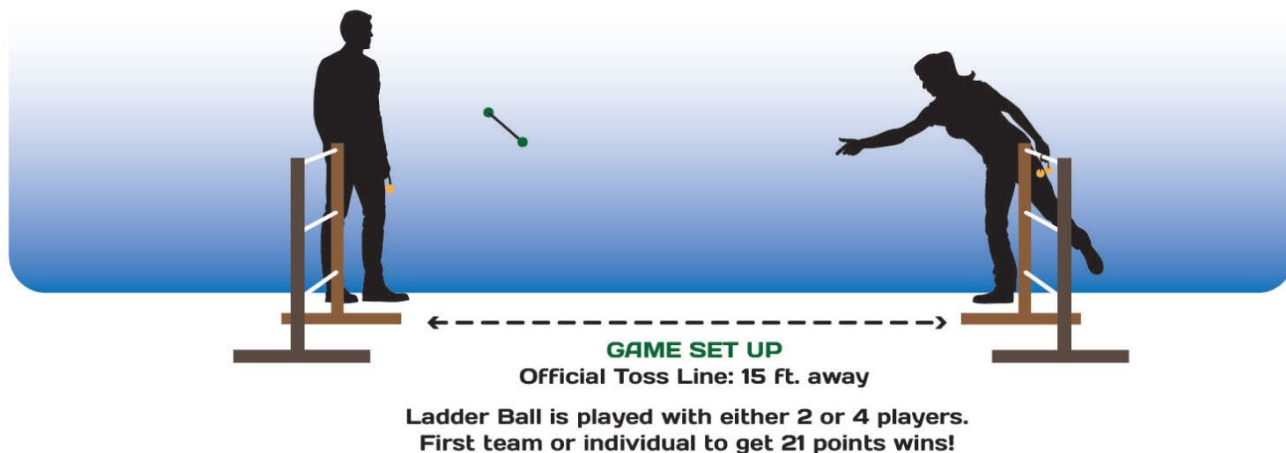
## ASSEMBLY INSTRUCTIONS

1. Lay out two Base Supports pipes (1) These have connection supports in the middle.
2. Insert both Vertical supports (2) into the base supports
3. Screw both Green and Blue scoring Runs to one side only of the vertical support (you can choose which color you prefer where) with rung screws (3)
4. Insert red rung into the middle hole, rung screws are not used in middle bar, just insert
5. Attach the opposite side, being sure that the red rung is inserted into the hole first, and then use rung screws to screw both the top and the bottom bar.
6. Repeat the same steps for the Second target.



## GAME SET UP

Set up your game by constructing the ladder ball set as shown in the diagram below. Set your toss line 15 feet from the ladder. For younger players or those unfamiliar with the game, count out 5 paces from the ladder for easier play.



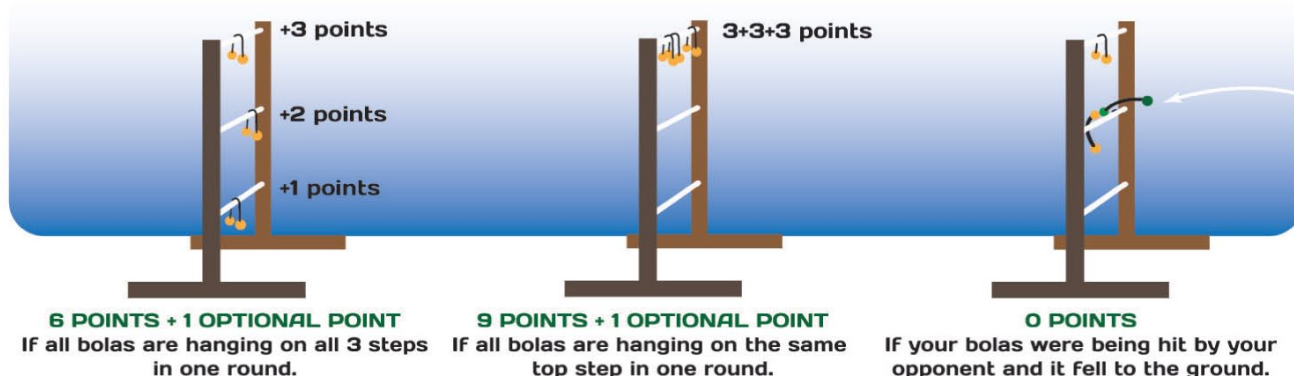
## GAME PLAY

The game is played in rounds, with each one consisting of all the players or teams tossing 3 bolas. To determine who is going to toss first, you can either toss a coin or have a shoot-out, highest point throw goes first.

The player who wins the toss throws all 3 of their bolas. They can be thrown one at a time in an underhand type throw and or they can be bounced off the ground. After the first player/team throws all three bolas, the second team/player throws their bolas. Bolas can be knocked off by the alternate player/team and if knocked off, the points are not counted. All remaining bolas on the ladder at the end of the round are counted for points. Whoever wins the first round gets the first toss in the next round.

## GAME SCORING

- One point when wrapping bolas around the bottom rung;
- Two points for bolas resting on the middle rung;
- Three points for bolas on the top rung.



## **GAME SCORING (CONTINUED)**

You can change the scoring to one point for the bottom, two points for the middle and three for the bottom rung to change the game up a bit.

Optional bonus points can be scored by hanging all 3 bolas from the same rung or by hanging one bola on the top, one in the middle, and one on the bottom rung. This must occur in one round and will score an extra point each.

Games are played to an exact point total of 21. If a player goes over 21, all points for that round do not count. Example: One team/player has 19 points and only needs two points to reach 21, but throws a bola and hits the top rung of three points, he forfeits his turn and tries again the next round. If the player only has one point, he does not add that to his 19 points, instead all points are eliminated for that round. If both players make it to 21 at the end of a round, an overtime round commences. In overtime, there is no point limit, but a player needs to be ahead by at least two points at the end of the round in order to win. Overtime rounds continue until one player finishes a round ahead by two.

## **TEAM PLAY**

Four players can play Ladder Toss by alternating play each round. Two ladder toss games can be combined for team play. 2 players on opposite teams (one team red other team blue) would be on one side and the other 2 opposing players on the other ladder. One side would toss all bolas and then the opposite team would toss theirs. All game rules apply to team play as in individual play.

## **SAFETY AND CARE**

Bolas- Throwing apparatus consisting of two balls held together with nylon rope. Do not swing or toss while not in game play. Throwing, tossing, or swinging bolas about can cause injury to yourself or others. Bolas are connected by anchors in each ball and will last a lifetime if used properly. Do not throw on hard ground, tug, or pull at the balls, this could cause them to crack or dislodge the anchors and separate the balls. Please supervise children and do not allow them to wrap the bolas around any body parts. Clean all bolas before storing with mild soap and water if they are dirty, just be sure to dry completely before storing. Never leave bolas laying in the sun for prolonged periods of time and always store them in the bag provided. Water and sun can damage and deteriorate the nylon rope.

Ladder- Your ladder toss is strong and durable, made from metal and will last a good long time if you treat it well. Wipe it clean after each use, do not leave it standing outside, sun and rain can cause excessive wear to the metal. Always store clean and dried in the carry bag provided.