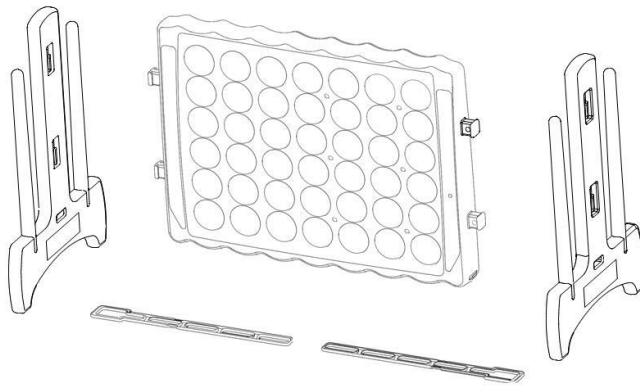




RallyRoarGames@gmail.com

# Giant 4 in a Row

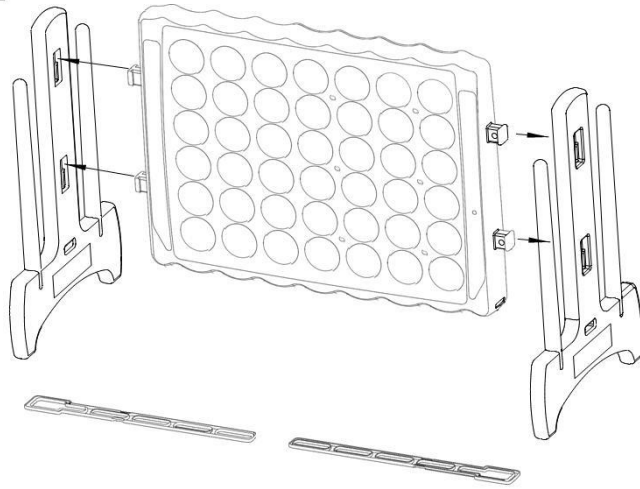
## Assembly



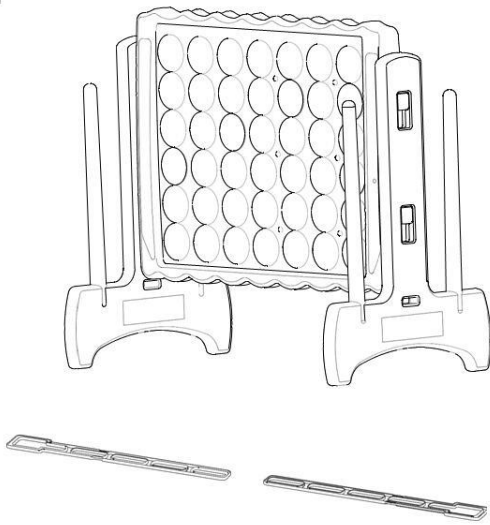
Green x 22 pcs

Yellow x 22 pcs

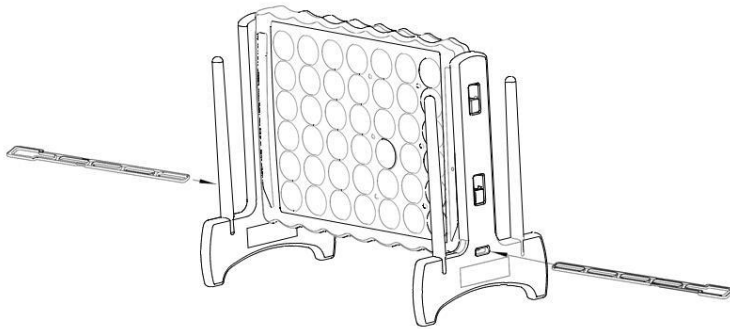
### Step 1



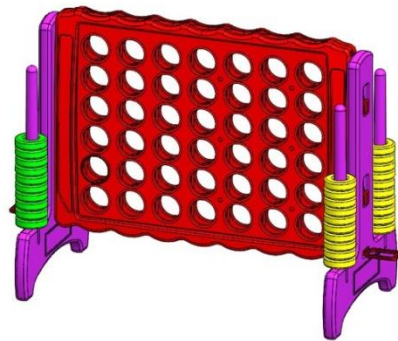
### Step 2



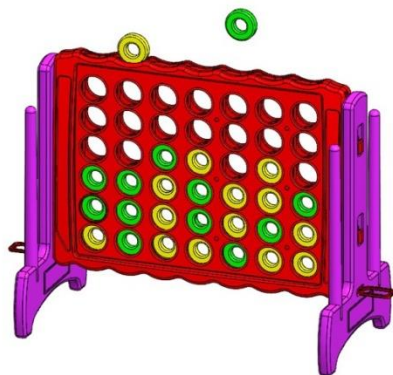
Step 3



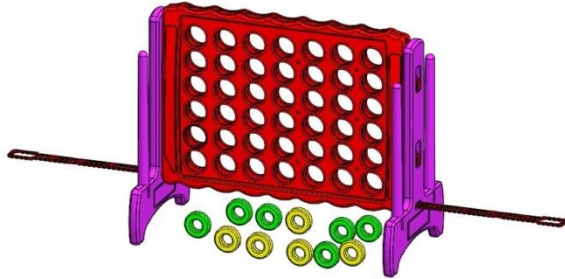
Step 4



Step 5

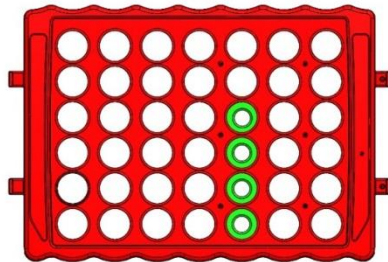
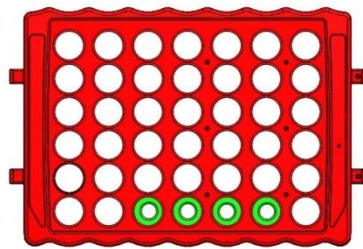
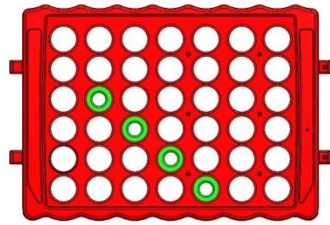


Step 6



### **Game Objective**

To win, a player must get four donuts in a row either horizontally, vertically, or diagonally.



## Game play

Since it is an advantage to be the player that goes first, flip a coin to decide who makes the first play and then alternate with the start of each game so each player has a fair and equal chance of starting the game. Choose your team color and use only those color donuts for your turn.

The first player will drop a donut into the board. The second player will then drop their donut into the board. Play will continue until one player connects 4 in a row. Refer to diagram for illustrations of 4 in a row.

You can change up the game by playing 5 in row.